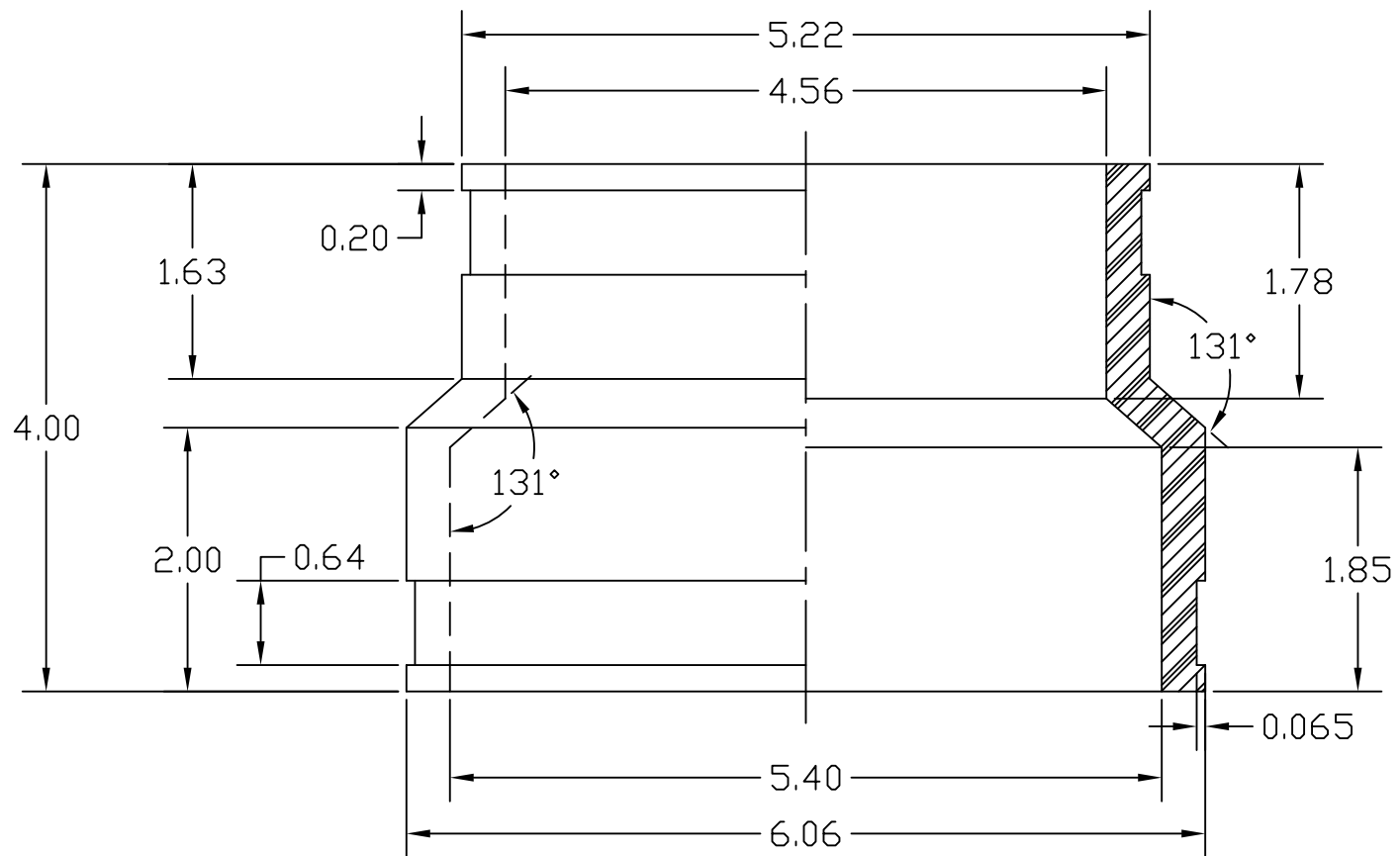



REVISIONS				
ZON#	REV	DESCRIPTION	DATE	APPROVED



Notes

1. Gasket; Black Plasticized PVC, 65 Duro Shore A, Conforming to ASTM D 5926
2. Clamps; 300 Series St. Stl., Installation Torque 60"lbs.
3. Coupling; Complies with ASTM C 1173

UNLESS OTHERWISE SPECIFIED: DIMENSIONS ARE IN INCHES TOLERANCES			
DECIMALS .XX ± .06	ANGULAR ± 0.5°		
DRAWN AJD		DATE 21Jan04	
CHECKED		4" PVC, CI to 4" W. CST. CLAY	
		SIZE A	FSCM NO.
		DWG NO. 1002-44WC	
		WEST COAST CLAY	