

**NOTES:**  
 -CONCEALED LINES NOT SHOWN  
 -BREAK ALL SHARP CORNERS  
 -REPORT ALL CHANGES TO ENGINEERING

**PROPRIETARY AND CONFIDENTIAL**  
 THE INFORMATION CONTAINED IN THIS DRAWING IS THE SOLE PROPERTY OF FERNCO, INC. ANY REPRODUCTION IN WHOLE OR IN PART WITHOUT THE WRITTEN PERMISSION OF FERNCO, INC. IS PROHIBITED.

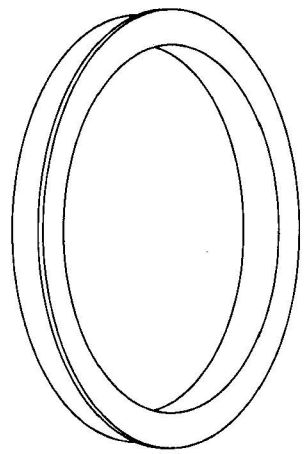
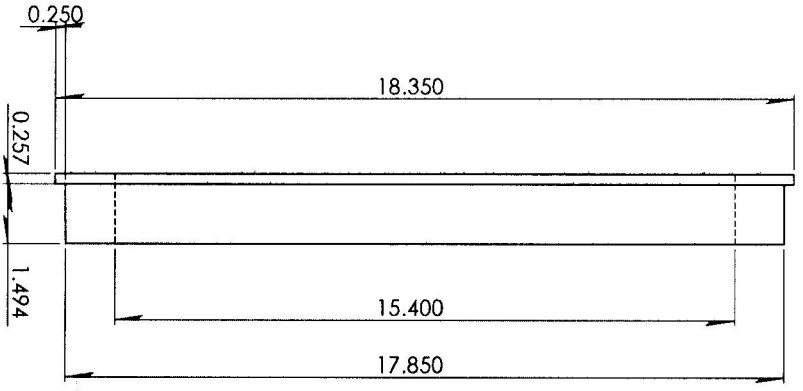
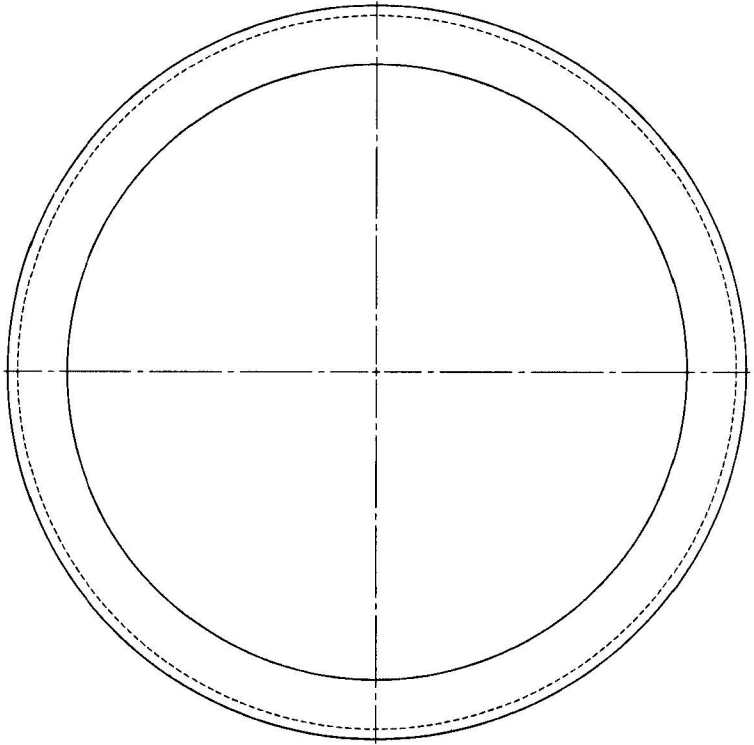
Part Weight	
Min/Max Temp.	-30/140 Degrees F
Pressure Tested	4.3 PSI
Material	Flexible PVC
Installation Torque	60" Lbs.
Conforms to ASTM	D5926
Box Quantity	300 Series
Clamps Used	

UNITS: INCHES  
 SEE: A  
 3RD ANGLE PROJECTION  
 DO NOT SCALE DRAWING

DESCRIPTION: 15" X 15" Clay x Clay  
 1001-1515  
 D. Brady  
 DATE: 4/4/2008

SCALE: not to scale  
 SHEET 1 OF 1

**FERNCO**  
 300 S. DAYTON ST.  
 DAVISON, MI 48423  
 PH: 810-653-9626  
 FAX: 810-654-2616



**NOTES:**  
 1. DIMENSIONS SHOWN NOT TO SCALE  
 2. BREAK ALL SHARP CORNERS  
 3. REPORT ALL CHANGES TO  
 ENGINEERING

**PROPRIETARY AND CONFIDENTIAL**  
 THE INFORMATION CONTAINED IN THIS  
 DRAWING IS THE SOLE PROPERTY OF  
 FERNCO, INC. ANY REPRODUCTION IN  
 WRITING WITHOUT THE PERMISSION OF FERNCO, INC.  
 IS PROHIBITED.

Part Weight	
Min/Max Temp.	-30/140 Degrees F
Pressure Tested	4.3 PSI
Material	Flexible PVC
Installation Torque	60" Lbs.
Conforms to ASTM	D5926
Box Quantity	300 Series
Clamps Used	

UNITS: INCHES  
 SCALE: A  
 3RD ANGLE PROJECTION  
 DO NOT SCALE DRAWING

DESIGNER: D. Brady  
 CHECKER:  
 DATE: 4/3/2008  
 SCALE: not to scale  
 SHEET 1 OF 1

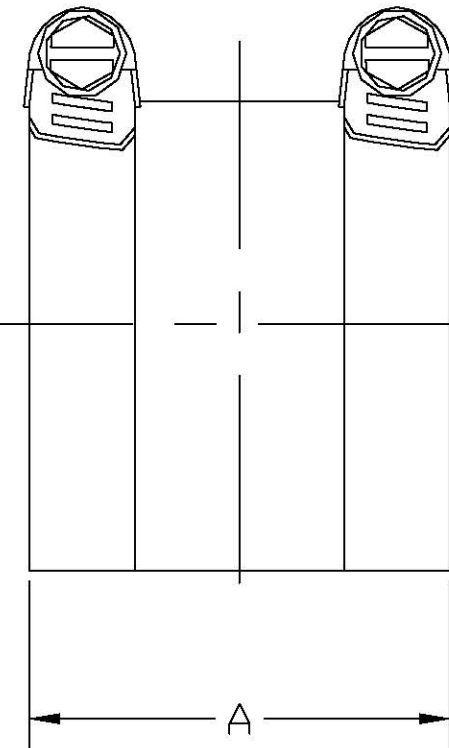
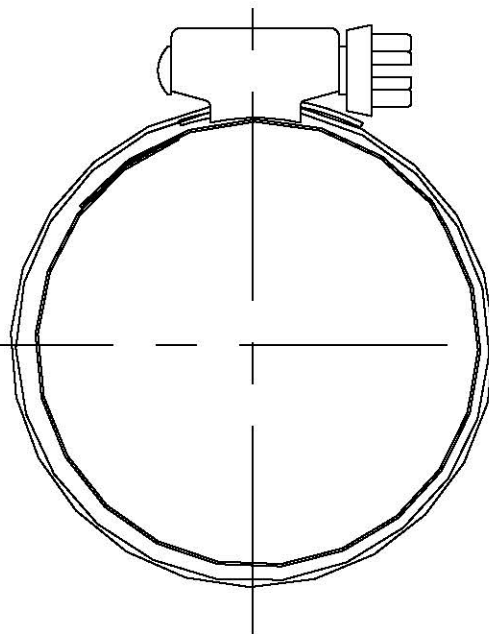
**TOLERANCES:**  
 .X = Fractional ±  
 .XX = ± .02  
 .XXX = ± .030  
 ANG = ± 0.5°  
 UNLESS OTHERWISE SPECIFIED

DESCRIPTION: Reducer Bushing  
 17.850-15.400R

**FERNCO**  
 300 S. DAYTON ST.  
 DAVISON, MI 48423  
 PH: 810-653-9626  
 FAX: 810-654-2616

Part Number	Width "A"	Clamps		Dia. Inch	
		SAE	Qty.	Max	Min
SRC-9	1.50"	032	1	2.50	1.56
SRC-11	1.50"	044	1	3.25	2.31
SRC-15	2.13"	064	2	4.50	2.62
SRC-16P	3.00"	080	2	5.50	3.62
SRC-19	2.13"	088	2	6.00	4.09
SRC-22	2.13"	096	2	6.50	4.50
SRC-25	4.00"	116	2	7.75	5.75
SRC-27	4.00"	128	2	8.50	6.50
SRC-28	4.00"	140	2	9.25	7.25
SRC-33	4.00"	152	2	10.00	8.00
SRC-35	4.00"	164	2	10.75	8.75
SRC-37	4.00"	184	2	12.00	10.00
SRC-39	4.00"	196	2	12.75	10.75
SRC-46	4.00"	(2) 116	2	14.50	11.50
SRC-54	4.00"	(2) 128	2	17.00	14.00
SRC-56	4.00"	(2) 140	2	17.50	14.50
SRC-59	4.00"	(2) 152	2	18.50	16.00
SRC-63	4.00"	164+152	2	19.75	16.75
SRC-73	4.00"	(2) 184	2	23.00	20.00
SRC-82	4.00"	164+248	2	25.75	22.75
SRC-84	4.00"	164+248	2	26.50	23.50
SRC-94	4.00"	140+184+212	2	29.75	26.75
SRC-105	4.00"	140+184+212	2	33.40	30.40
SRC-110	4.00"	140+212+212	2	34.75	31.75

REVISIONS				
ZONE	REV	DESCRIPTION	DATE	APPROVED
	1	Added SRC-16P	12Mar10	AJD
	2	Added Sizes > 59	12Oct11	AJD



**\*Notes\***

1. All Components 300 Series Stainless Steel
2. Clamps are Spot Welded to Shields
3. SRC-9 & SRC-11 Utilize 1 Clamp in the Center of the Shield
4. Shield Thickness .012", 304SS
5. Installation Torque up to 60"lbs.

UNLESS OTHERWISE SPECIFIED: DIMENSIONS ARE IN INCHES TOLERANCES DECIMALS .06 ANGULAR ± 0.5° HOLE ± .032 DO NOT SCALE DRAWING		<b>FERNCO</b>	
DRAWN AJD	DATE 12Oct11	SRC Shields	
CHECKED		SIZE A	FSM NO. DWG NO. SRC-01
			REV 2